



AstroJet 2650P-2800P Quick Start Guide



Step 1

Unpack Printer and Accessories

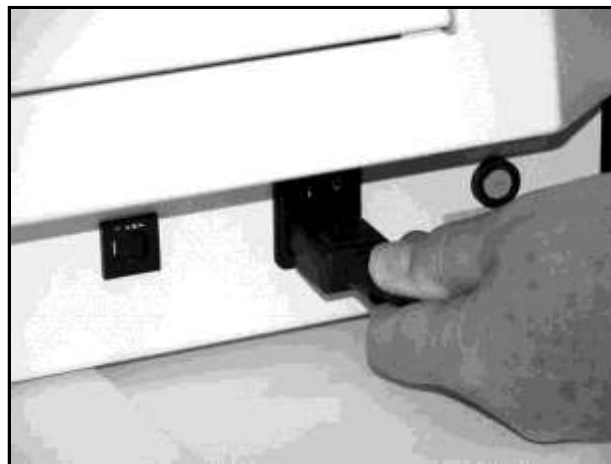
Place Printer on a stable surface at least 12" from any walls. Save packaging material. Attach Side Media Guides, Rear Media Support and Rear Media Guide.

Step 2

Connect Power to Printer

1. Main power switch is turned OFF.
2. Plug power cord into Printer receptacle.
3. Plug other end into 115-220 Volt AC, 50/60 Hz. grounded outlet.

DO NOT TURN POWER SWITCH ON YET

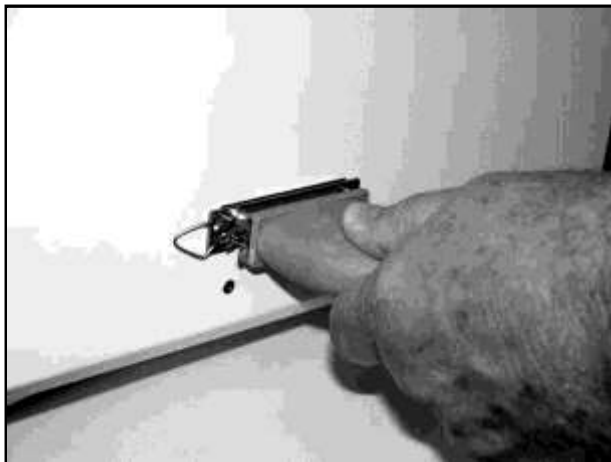


Connect Printer to Computer

Printer has both USB and Parallel Ports.
(Located on Side Cover as shown.)

USB Cable Users: Plug USB cable from computer into Printer's USB port.

Parallel Cable Users: Plug Parallel Printer Cable from computer into Printer's Parallel Port. Latch two locking clips.



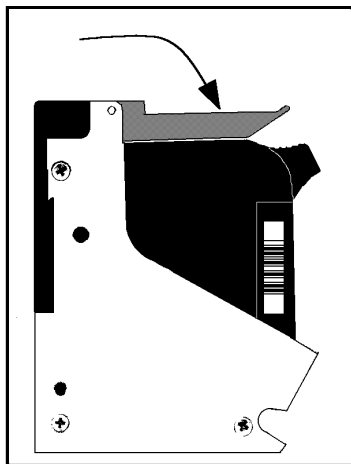
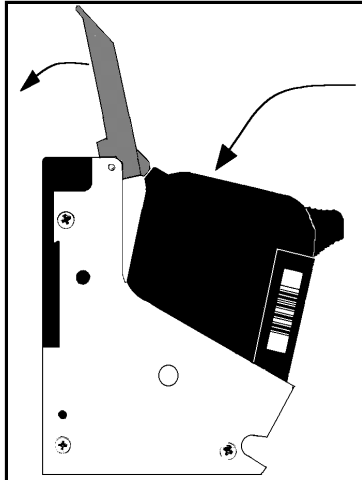
Step 3

Install Inkjet Cartridges

2650P holds up to 6 Inkjet Cartridges.

2800P holds up to 8 Inkjet Cartridges.

1. Remove inkjet cartridge from packaging. **DO NOT** touch copper contacts, metal plate, or gold printhead. Remove protective tape from printhead.
2. Open latch levers on inkjet cartridge holders.
3. With cartridge's printhead pointing down, slide cartridge into holder, push down and toward contacts in holder.
4. Make sure cartridge is seated in holder. Close latch lever to secure cartridge in holder. **DO NOT force lever into place.**
5. Repeat **Steps 1-4** for remaining cartridges.

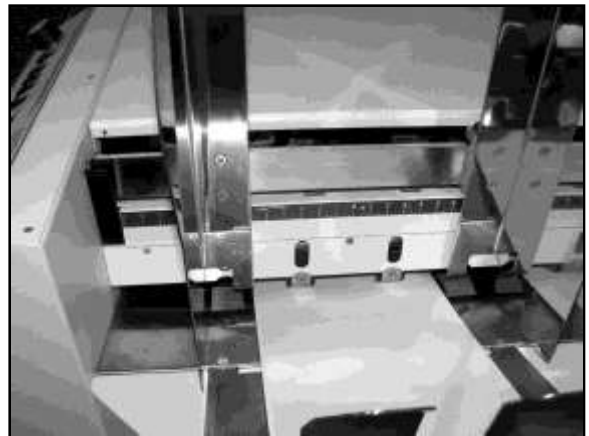


Ink in cartridge may be harmful if swallowed. Keep new and used cartridges out of reach of children. Discard empty cartridges immediately.

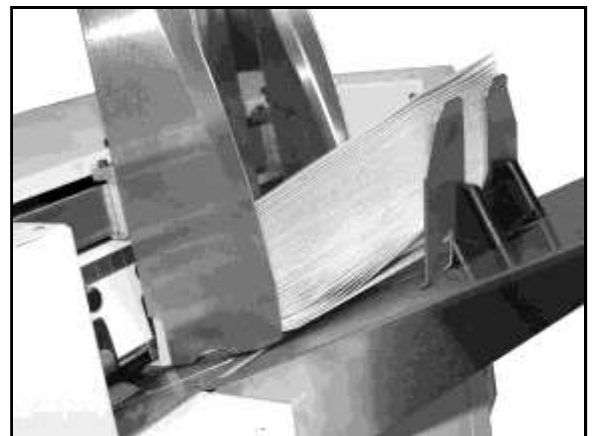
Step 4

Setting Up Feed

1. Release Separator Locking Levers (*located on operator's side of Feeder*), raise Separators an lock in position. Move Side Guides to outermost open position. Place one piece of media in center of Feed Table.
2. **Four Separators on Feeder.** Use two Center Separators for narrow media and all four Separators for wide media. Place media under Separators and lower Separators onto media.



3. Rotate Locking Lever up to lock Separators in place.
4. Loosen knobs on Side Guides. Adjust Side Guides to within 1/32" of media. Tighten knobs.
5. Adjust Rear Guide so media is raised approximately 1/2" and rests on curve of Rear Guide. When running 10" or longer or heavy media Rear Guide may have to be set so it just touches back of media.



- Feed one piece of media through Printer. Adjust two Exit Guides to ride on media.
NOTE: To prevent smearing, make sure Exit Guides do not track over any printed information.



- Turn Printer ON. Turn Media Thickness Knob to set initial Printhead height as follows:

Media Thickness	Dial Setting
0.004" to 1/32"	0 to 2
1/32" to 1/8"	2 to 3
1/8" to 5/16"	3 to 7
5/16" to 3/8"	7 to 10

NOTE: These are initial settings. It may be necessary to adjust Media Thickness Control to optimize print quality.

- Press **ONLINE**.
Press **ENTER** to test-feed media.



Step 5

Install Print Driver

Load "Printer Drivers" CD into computer's CD/DVD drive.

If "Drive Installation CD" launch window appears, you can ignore it.



DO NOT TURN PRINTER POWER ON YET

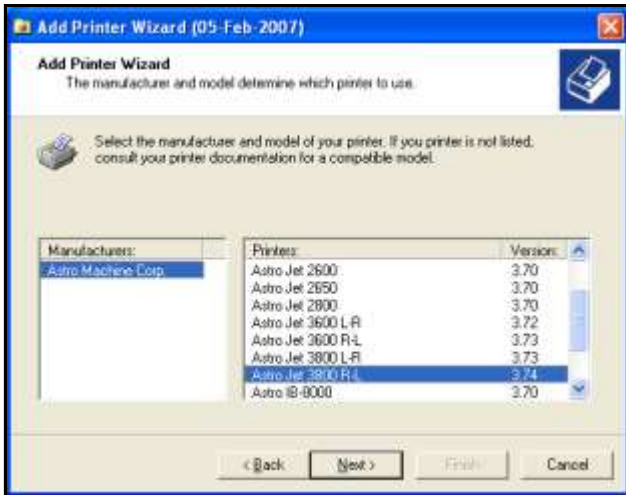
- With Printer connected to computer via USB or parallel port, turn Printer **ON**. In a few minutes "Welcome to the Add New Printer Wizard" opens. Click **Next>**.



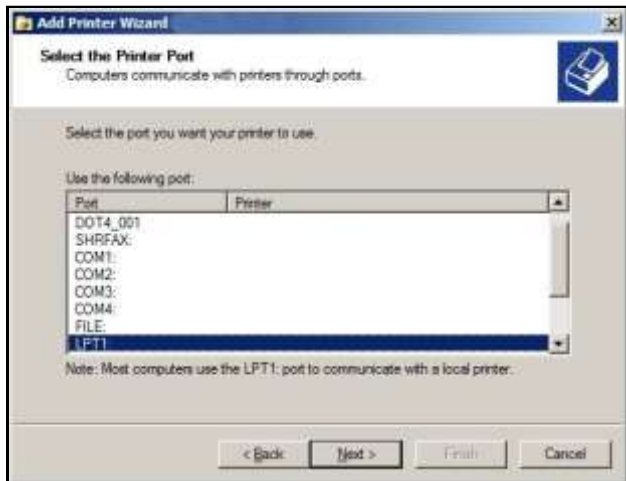
- "User Information" screen. Type in your company and name. Click **Next>**.



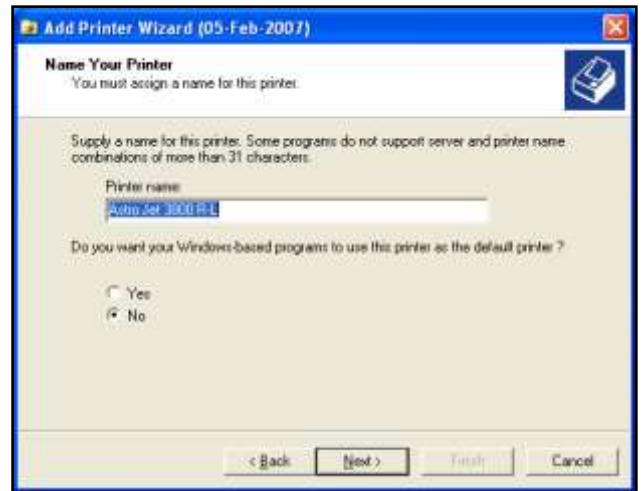
3. Select your Printer Model from list displayed. Click **Next>**.



4. **Select Printer Port:** LPT1 for parallel cable connection or USB for USB connection. Click **Next>**.



5. **“Name your Printer”** screen. Unless another Printer of same name is on your system or network you can ignore this step. (You can also choose to make this Printer the default printer.) Click **Next>**.



6. **“Completing the Add Printer Wizard”** window. Click **Finish** to complete installation. Installation is complete when **“Found New Hardware”** box appears in lower right-hand corner of screen.



Step 6

To install Accessories and for Printer set-up or operation, please refer to **“AstroJet 2650P-2800P Printer Operator Manual”** supplied with Printer.



**ASTRO
MACHINE
CORP.**

630 Lively Blvd.
Elk Grove Village, IL 60007
Phone: (847) 364-6363
Fax: (847) 364 9898
www.astromachine.com